

ReSound Unite® TV



Product description

The ReSound Unite® TV transforms your patients' hearing instruments into a set of smart and discreet wireless headphones. It sends stereo sound from the TV or other audio device directly into their hearing instruments. Your patients don't have to wear anything extra, and no cables or wires are needed.

With the ReSound Unite TV, your patients never have to choose between watching TV and taking part in a conversation. Patients will hear sound that is balanced between the TV and the surroundings. So they can watch TV, take part in conversations and keep track of what's going on around them.

The streamer isn't just for the TV. Patients can use it to connect to their computer, stereo and other audio devices. The 2.4 GHz wireless technology opens the door to some unique opportunities, such as connecting up to three streamers to different audio devices or connecting one streamer to many users. For example, a whole group of ReSound Alera® users could enjoy TV together with the same ReSound Unite TV. Each individual would enjoy strong and clear transmission of sound directly to their hearing instruments.

Easy to connect

- Works with audio devices that have a RCA, scart or jack adapter connection
- Just press the pairing button on the ReSound Unite TV and open and close the battery doors of the hearing instruments within 20 seconds, and it automatically pairs with the hearing instruments
- Pairing can also be done through the ReSound Aventa® 3 fitting software

Easy to use

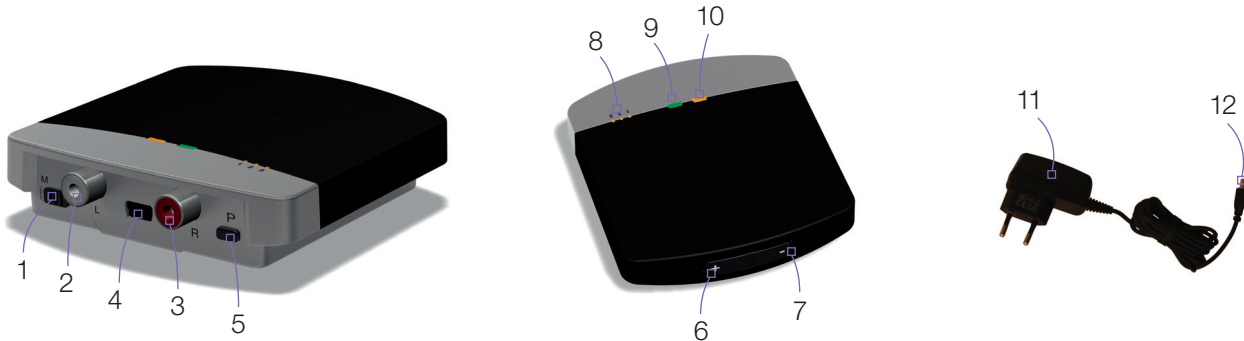
- Activated at the push of a button (either on the hearing instrument or on the remote control)
- Streams crystal clear sound from at least 20 feet away, so patients can move around while watching TV
- Reconnects automatically if the patient leaves the room and returns within 5 minutes
- Install it and forget it—just click a button when your patients want to watch TV

2.4 GHz wireless technology

- A smart, robust and reliable standard that has a strong, clear and stable signal
- With an unnoticeable 20 ms delay, it avoids issues related to synchronization between sound and image

ReSound Unite® TV

1. Mono/stereo control
2. Left audio connector
3. Right audio connector
4. Mini USB connector
5. Pairing button
6. Increase volume
7. Decrease volume
8. Channel indicator
9. Power light (green)
10. Activity light (amber)
11. Wall plug
12. Mini USB plug



Technical data

<i>Dimensions</i>	3.25 x 3.5 x 0.8 in
<i>Weight</i>	2.2 oz
<i>Power supply</i>	External wall adaptor, 5 V DC
<i>Power connection</i>	Mini USB
<i>Power consumption</i>	Maximum 150 mA
<i>Audio interfaces</i>	2 x phono line input
<i>Line input sensitivity</i>	750 mv <i>RMS</i>
<i>Wireless connections</i>	Multiple hearing instruments per ReSound Unite TV Up to 3 ReSound Unite TVs per binaural set of hearing instruments
<i>Audio streaming range</i>	20 ft
<i>Audio streaming latency</i>	20 ms
<i>Audio quality</i>	Mono/stereo 20 kHz sample frequency
<i>Audio bandwidth</i>	10 kHz
<i>Wireless streaming frequency</i>	2.4 GHz
<i>Emission</i>	Maximum 10 dBm (In compliance with all relevant standards)
<i>ESD tolerance</i>	6 KV HBM
<i>Operating temperature</i>	32° to 130° F
<i>Storage temperature</i>	-4° to 140° F